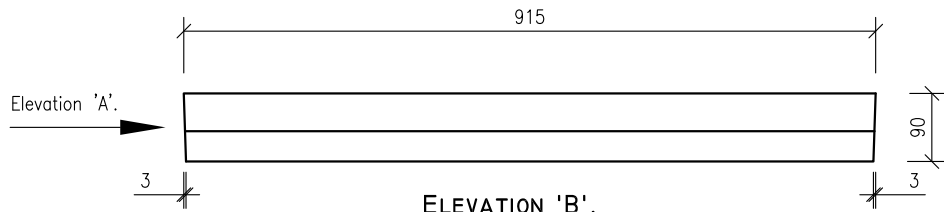
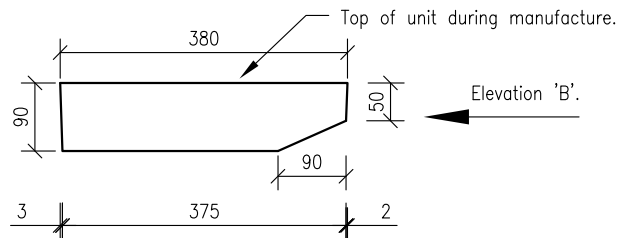


PLAN.



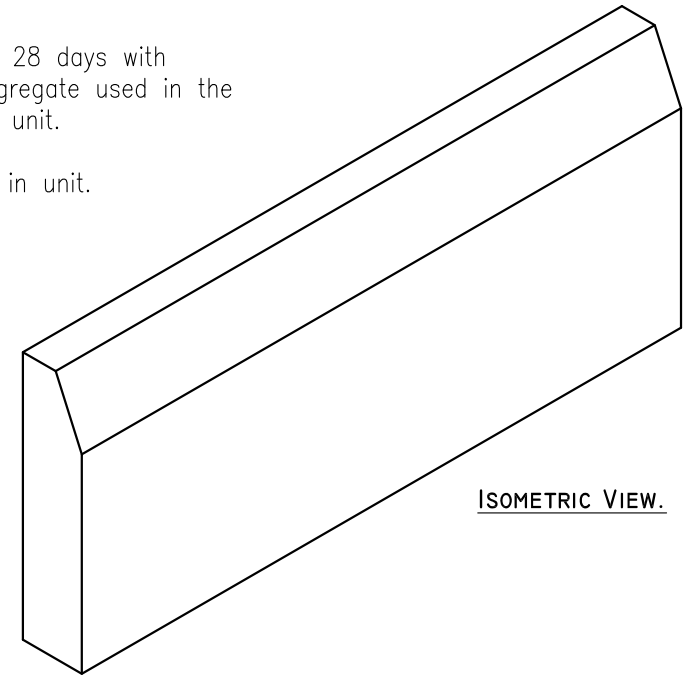
ELEVATION 'B'.



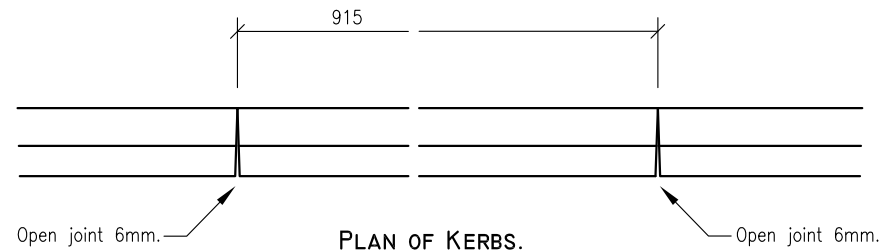
ELEVATION 'A'.

C28/35 concrete @ 28 days with 10mm & 14mm aggregate used in the manufacture of this unit.

No steel reinforcing in unit.



ISOMETRIC VIEW.



PLAN OF KERBS.

A. Title block amended.

May 2020

- DO NOT SCALE USE FIGURED DIMENSIONS ONLY.
- ALL DIMENSIONS TO BE CHECKED ON SITE.
- A.P.C TO BE INFORMED OF ANY DISCREPANCIES BEFORE WORK PROCEEDS.

© COPYRIGHT: Ardee Precast Concrete.
This drawing or any part thereof may not be copied or otherwise reproduced without the written permission of Ardee Precast Concrete.

Project:
TECHNICAL DATA SHEET.

Title:
**KERB - TYPE 4.
380MM X 90MM**

Drawing No:
APC - 703

Revision:
A

Date:
10-11-2015

Sheet Size:
A4

Drawing Scale:
1:10,

Drawn By:
N.D.

Checked By:



Ardee Precast Concrete Ltd.

Townparks
Ardee
Co. Louth

Tel. +353(0)41 6856372
Fax. +353(0)41 6857216

Email us at info@ardeeprecastconcrete.ie
Visit us at www.ardeeprecastconcrete.ie